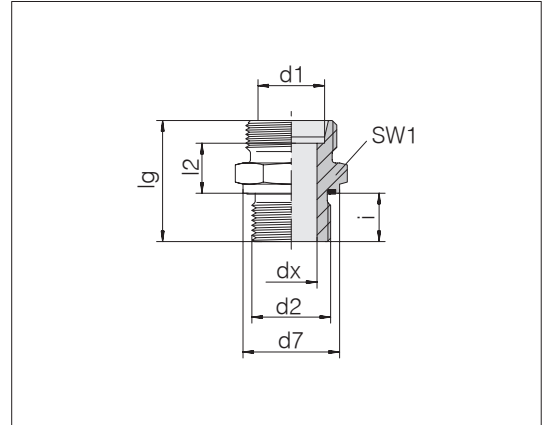


# Male stud connectors

Male thread: BSPP thread, cylindrical  
 Threaded stud: ISO 1179-2 Form E  
 Sealing type: Profile sealing ring PEFLEX  
 Sealing material: Standard NBR

Tube coupling: 24° in acc. with ISO 8434-1



Series	d2	Pressure	d7	dx	lg	l2	SW1	i	Nm -10 %	kg/100 ca.	Order-No.	Designation
Tube OD d1												
L 6	G 1/8 A	PN 500	13.9	4	23.5	8.5	14	8	20	1.3	0784192000	24-SDS-L6-G1/8E <sup>1)</sup>
L 6	G 1/4 A	PN 500	18.9	4	29	10	19	12	50	2.7	1784082000	24-SDS-L6-G1/4E
L 6	G 3/8 A	PN 400	21.9	4	30.5	11.5	22	12	80	3.8	1784942000	24-SDS-L6-G3/8E
L 8	G 1/8 A	PN 500	13.9	4	24.5	9.5	14	8	20	1.5	1784222000	24-SDS-L8-G1/8E
L 8	G 1/4 A	PN 500	18.9	6	29	10	19	12	50	2.7	0784202000	24-SDS-L8-G1/4E <sup>1)</sup>
L 8	G 3/8 A	PN 400	21.9	6	30.5	11.5	22	12	80	4.4	1784232000	24-SDS-L8-G3/8E
L 8	G 1/2 A	PN 400	26.9	6	33	12	27	14	100	7.2	1784912000	24-SDS-L8-G1/2E
L 8	G 3/4 A	PN 250	31.9	6	36	13	32	16	180	10.0	1785762000	24-SDS-L8-G3/4E
L 10	G 1/8 A	PN 500	13.9	4	25.5	10.5	17	8	20	2.0	1784932000	24-SDS-L10-G1/8E
L 10	G 1/4 A	PN 500	18.9	6	30	11	19	12	50	2.9	0784212000	24-SDS-L10-G1/4E <sup>1)</sup>
L 10	G 3/8 A	PN 400	21.9	8	31.5	12.5	22	12	80	4.2	1784172000	24-SDS-L10-G3/8E
L 10	G 1/2 A	PN 400	26.9	8	34	13	27	14	100	6.3	1784182000	24-SDS-L10-G1/2E
L 12	G 1/4 A	PN 400	18.9	6	31.5	12.5	19	12	50	3.2	0784102000	24-SDS-L12-G1/4E
L 12	G 3/8 A	PN 400	21.9	9	31.5	12.5	22	12	80	4.2	0784222000	24-SDS-L12-G3/8E <sup>1)</sup>
L 12	G 1/2 A	PN 400	26.9	10	34	13	27	14	100	6.7	0784122000	24-SDS-L12-G1/2E
L 12	G 3/4 A	PN 250	31.9	10	37	14	32	16	180	11.7	1784212000	24-SDS-L12-G3/4E
L 15	G 1/4 A	PN 400	18.9	6	32	13	24	12	50	3.9	1785642000	24-SDS-L15-G1/4E
L 15	G 3/8 A	PN 400	21.9	9	32.5	13.5	24	12	80	5.1	1784072000	24-SDS-L15-G3/8E
L 15	G 1/2 A	PN 400	26.9	11	35	14	27	14	100	7.1	0784232000	24-SDS-L15-G1/2E <sup>1)</sup>
L 15	G 3/4 A	PN 250	31.9	12	38	15	32	16	180	11.7	1784192000	24-SDS-L15-G3/4E
L 15	G 1 A	PN 250	39.9	11	41	16	41	18	230	22.8	1796972000	24-SDS-L15-G1E
L 18	G 3/8 A	PN 400	21.9	9	33.5	14	27	12	80	6.6	1784922000	24-SDS-L18-G3/8E
L 18	G 1/2 A	PN 400	26.9	14	36	14.5	27	14	100	7.0	0784242000	24-SDS-L18-G1/2E <sup>1)</sup>
L 18	G 3/4 A	PN 250	31.9	15	38	14.5	32	16	180	10.9	1784282000	24-SDS-L18-G3/4E
L 18	G 1 A	PN 250	39.9	15	41	15.5	41	18	230	16.7	1785972000	24-SDS-L18-G1E
L 18	G 1 1/4 A	PN 250	49.9	15	44	16.5	50	20	330	37.9	1796842000	24-SDS-L18-G11/4E
L 22	G 1/2 A	PN 250	26.9	14	38	16.5	32	14	100	8.7	1784162000	24-SDS-L22-G1/2E
L 22	G 3/4 A	PN 250	31.9	18	40	16.5	32	16	180	10.2	0784252000	24-SDS-L22-G3/4E <sup>1)</sup>
L 22	G 1 A	PN 250	39.9	19	43	17.5	41	18	230	18.4	1784712000	24-SDS-L22-G1E
L 22	G 1 1/4 A	PN 250	49.9	19	46	18.5	50	20	330	37.5	1785132000	24-SDS-L22-G11/4E

<sup>1)</sup> Standard size

Example for comp. :  
 GE06LREDOMD  
 ISO 8434-1-SDS-L6xG1/8A-E-St

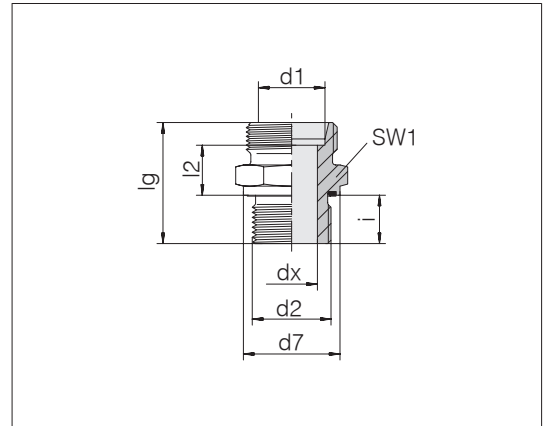
Continued on following page



## Male stud connectors

Male thread: BSPP thread, cylindrical  
 Threaded stud: ISO 1179-2 Form E  
 Sealing type: Profile sealing ring PEFLEX  
 Sealing material: Standard NBR

Tube coupling: 24° in acc. with ISO 8434-1



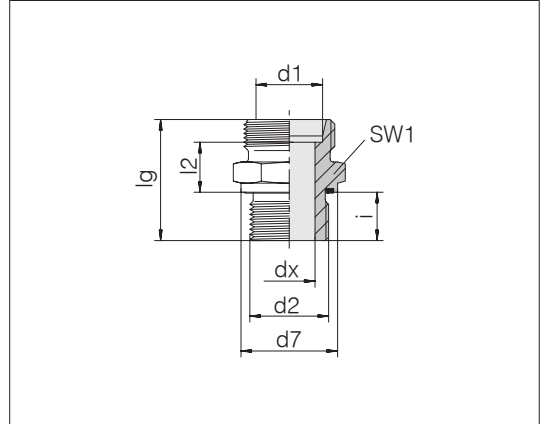
Series	Tube OD	d2	Pressure	d7	dx	lg	l2	SW1	i	Nm	kg/100	Order-No.	Designation
d1													
L	28	G 3/4 A	PN 250	31.9	18	41	17.5	41	16	180	14.6	1784122000	24-SDS-L28-G3/4E
L	28	G 1 A	PN 250	39.9	23	43	17.5	41	18	230	16.5	0784262000	24-SDS-L28-G1E <sup>1)</sup>
L	28	G 1 1/4 A	PN 250	49.9	23	46	18.5	50	20	330	25.2	1784902000	24-SDS-L28-G11/4E
L	35	G 1 A	PN 250	39.9	23	46	17.5	46	18	230	23.8	1784362000	24-SDS-L35-G1E
L	35	G 1 1/4 A	PN 250	49.9	30	48	17.5	50	20	330	27.1	0784272000	24-SDS-L35-G11/4E <sup>1)</sup>
L	35	G 1 1/2 A	PN 250	54.9	30	52	19.5	55	22	500	37.4	1785612000	24-SDS-L35-G11/2E
L	42	G 1 1/4 A	PN 250	49.9	30	50	19	55	20	330	33.6	1785652000	24-SDS-L42-G11/4E
L	42	G 1 1/2 A	PN 250	54.9	36	52	19	55	22	500	34.3	0784282000	24-SDS-L42-G11/2E <sup>1)</sup>
S	6	G 1/4 A	PN 800	18.9	4	32	13	19	12	60	3.5	0784292000	24-SDS-S6-G1/4E <sup>1)</sup>
S	6	G 3/8 A	PN 800	21.9	4	34.5	15.5	22	12	90	6.0	1784052000	24-SDS-S6-G3/8E
S	6	G 1/2 A	PN 630	26.9	4	39	18	27	14	150	8.6	1784252000	24-SDS-S6-G1/2E
S	8	G 1/4 A	PN 800	18.9	5	34	15	19	12	60	4.1	0784302000	24-SDS-S8-G1/4E <sup>1)</sup>
S	8	G 3/8 A	PN 800	21.9	5	34.5	15.5	22	12	90	5.7	1784132000	24-SDS-S8-G3/8E
S	8	G 1/2 A	PN 630	26.9	5	39	18	27	14	150	9.5	1785942000	24-SDS-S8-G1/2E
S	10	G 1/4 A	PN 800	18.9	5	34	14.5	19	12	60	4.2	0784152000	24-SDS-S10-G1/4E
S	10	G 3/8 A	PN 800	21.9	7	34.5	15	22	12	90	5.5	0784312000	24-SDS-S10-G3/8E <sup>1)</sup>
S	10	G 1/2 A	PN 630	26.9	7	39	17.5	27	14	150	8.9	1784242000	24-SDS-S10-G1/2E
S	12	G 1/4 A	PN 630	18.9	5	36	16.5	22	12	60	5.6	1784142000	24-SDS-S12-G1/4E
S	12	G 3/8 A	PN 630	21.9	8	36.5	17	22	12	90	6.2	0784322000	24-SDS-S12-G3/8E <sup>1)</sup>
S	12	G 1/2 A	PN 630	26.9	8	39	17.5	27	14	150	9.1	0784172000	24-SDS-S12-G1/2E
S	12	G 3/4 A	PN 420	31.9	8	43	19.5	32	16	200	13.4	1784152000	24-SDS-S12-G3/4E
S	14	G 3/8 A	PN 630	21.9	8	39	19	24	12	90	8.3	1785922000	24-SDS-S14-G3/8E
S	14	G 1/2 A	PN 630	26.9	10	41	19	27	14	150	9.6	0784332000	24-SDS-S14-G1/2E <sup>1)</sup>
S	16	G 1/4 A	PN 630	18.9	5	38	17.5	27	12	60	8.4	1785302000	24-SDS-S16-G1/4E
S	16	G 3/8 A	PN 630	21.9	8	38.5	18	27	12	90	8.1	1784092000	24-SDS-S16-G3/8E
S	16	G 1/2 A	PN 630	26.9	12	41	18.5	27	14	150	9.2	0784342000	24-SDS-S16-G1/2E <sup>1)</sup>
S	16	G 3/4 A	PN 420	31.9	12	45	20.5	32	16	200	13.8	1784262000	24-SDS-S16-G3/4E
S	16	G 1 A	PN 420	39.9	12	49	22.5	41	18	250	23.7	1784722000	24-SDS-S16-G1E

<sup>1)</sup> Standard size

# Male stud connectors

Male thread: BSPP thread, cylindrical  
 Threaded stud: ISO 1179-2 Form E  
 Sealing type: Profile sealing ring PEFLEX  
 Sealing material: Standard NBR

Tube coupling: 24° in acc. with ISO 8434-1



Series	d2	Pressure	d7	dx	lg	l2	SW1	i	Nm -10 %	kg/100 ca.	Order-No.	Designation
Tube OD												
d1												
S 20	G 1/2 A	PN 420	26.9	12	45	20.5	32	14	150	13.5	1784062000	24-SDS-S20-G1/2E
S 20	G 3/4 A	PN 420	31.9	16	47	20.5	32	16	200	14.9	0784352000	24-SDS-S20-G3/4E <sup>1)</sup>
S 20	G 1 A	PN 420	39.9	16	51	22.5	41	18	250	25.0	1784382000	24-SDS-S20-G1E
S 25	G 1/2 A	PN 420	26.9	12	49	23	41	14	150	23.9	1785632000	24-SDS-S25-G1/2E
S 25	G 3/4 A	PN 420	31.9	16	51	23	41	16	200	23.7	0784032000	24-SDS-S25-G3/4E
S 25	G 1 A	PN 420	39.9	20	53	23	41	18	250	26.3	0784362000	24-SDS-S25-G1E <sup>1)</sup>
S 25	G 1 1/4 A	PN 420	49.9	20	55	23	50	20	500	46.7	1785772000	24-SDS-S25-G11/4E
S 30	G 3/4 A	PN 420	31.9	16	53	23.5	46	16	200	31.7	1785712000	24-SDS-S30-G3/4E
S 30	G 1 A	PN 420	39.9	20	55	23.5	46	18	250	33.0	1784112000	24-SDS-S30-G1E
S 30	G 1 1/4 A	PN 420	49.9	25	57	23.5	50	20	500	41.9	0784372000	24-SDS-S30-G11/4E <sup>1)</sup>
S 30	G 1 1/2 A	PN 420	54.9	25	62	26.5	55	22	600	64.0	1785962000	24-SDS-S30-G11/2E
S 38	G 3/4 A	PN 420	31.9	16	58	26	55	16	200	50.1	1785902000	24-SDS-S38-G3/4E
S 38	G 1 A	PN 420	39.9	20	60	26	55	18	250	44.9	1785702000	24-SDS-S38-G1E
S 38	G 1 1/4 A	PN 420	49.9	25	62	26	55	20	500	55.5	1785212000	24-SDS-S38-G11/4E
S 38	G 1 1/2 A	PN 420	54.9	32	64	26	55	22	600	55.9	0784382000	24-SDS-S38-G11/2E <sup>1)</sup>

<sup>1)</sup> Standard size

